



WA60X4912U



WA60CPX4912U

**Industry Standards**

UL 508, Type 12  
CSA Certified, Type 12  
NEMA/EEMAC Type 12  
JIC EL-1-71



UL File E64791



CSA File LL66078

**FEATURES-SPECIFICATIONS**
**Applications**

Designed to house the following:

- **Allen-Bradley** Bulletin 1494F flange-mounted disconnect switches and Bulletin 1494D flange-mounted operators for circuit breakers. Allen-Bradley Bulletin 1494V variable depth flange-mounted disconnect switches and circuit breakers mechanisms
- **ABB Controls** flange-mounted variable depth operating mechanisms for disconnect switches and circuit breakers
- **Cutler-Hammer/Westinghouse** Type C361 disconnect switches and operating mechanisms, and Type C371 circuit breakers and circuit breakers operating mechanisms. Also Type SM safety handle mechanisms and Flex Shaft™ handle operators for circuit breakers
- **General Electric** Type STDA flange handles and variable depth operating mechanisms for disconnect switches and circuit breakers. Also Spectra Flex™ cable operators for circuit breakers
- **I-T-E** Max-Flex™ flange-mounted variable depth operating handles for disconnect switches and circuit breakers
- **Square D** disconnect switches and circuit breakers used with Class 9422 flange-mounted variable depth operating mechanisms or cable mechanisms

*These enclosures will not receive Class 9422 bracket-mounted disconnect devices, 9422TG1, or TG2 devices*

**Construction**

- Bodies and doors fabricated from 10 gauge steel
- Continuously welded seams ground smooth
- Body stiffeners provided for extra rigidity
- Heavy gauge continuous hinges to secure doors
- Heavy duty 3-point padlocking handles on all doors
- Print pocket is provided
- 15-inch floor stands are welded to enclosure
- Doors are supplied with closed cell neoprene gasket
- Heavy duty lifting eyes and provisions for fluorescent lighting are provided
- Panel supports
- Collar studs are provided for mounting **optional** sub panels
- Grounding provisions provided
- Unless specified, the right door is considered to be the “master” door on the “Right Flange” mount enclosures and the left door is the “master” door on the “Center Post” mount enclosures
- A mechanical interlock is provided and prevents the slave door from opening before opening the master door
- Disconnects come with a universal cutout which provides mounting for most disconnects operators by using operator adapters

- Removable center post permits easy panel installation
- FTC rolled lip around all sides of enclosure opening excludes liquids and contaminants

**Finish**

- ANSI 61 gray polyester powder inside and out over phosphatized surfaces
- **Optional** back panels are white polyester powder over phosphatized surfaces

**Accessories**

- Back panels (reference tables)
- See pages J1-J19
- Blank adapter plates on pages F57 and J12

**IMPORTANT**

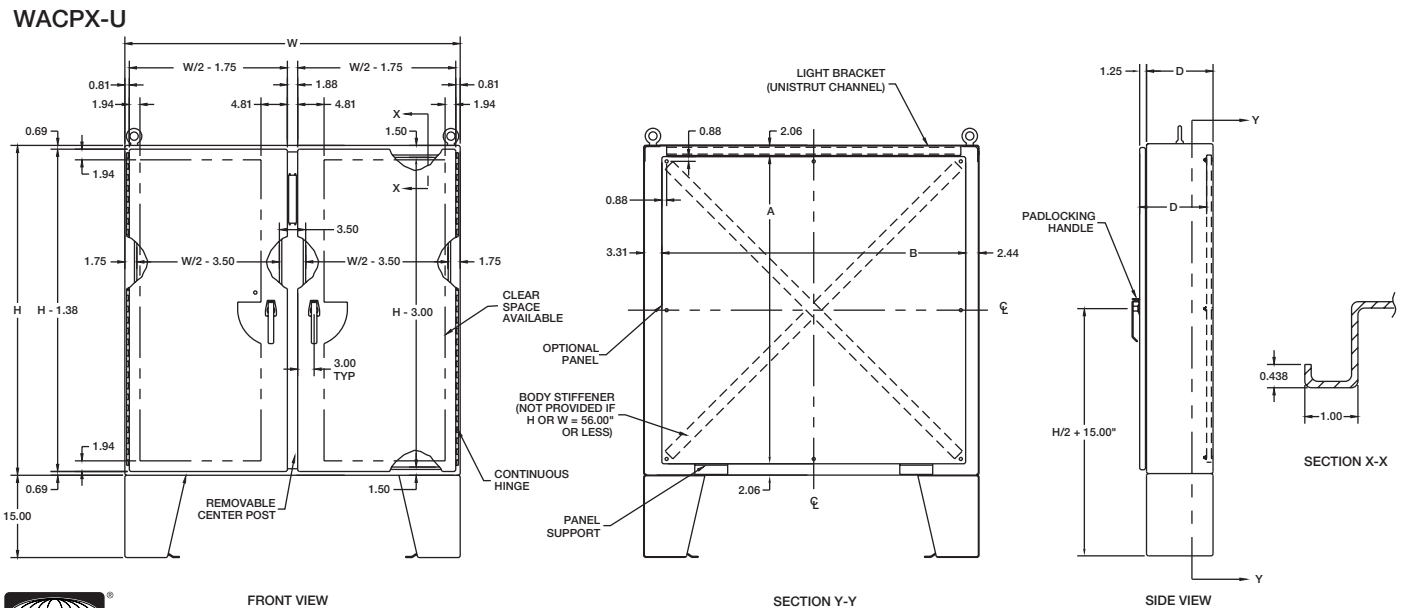
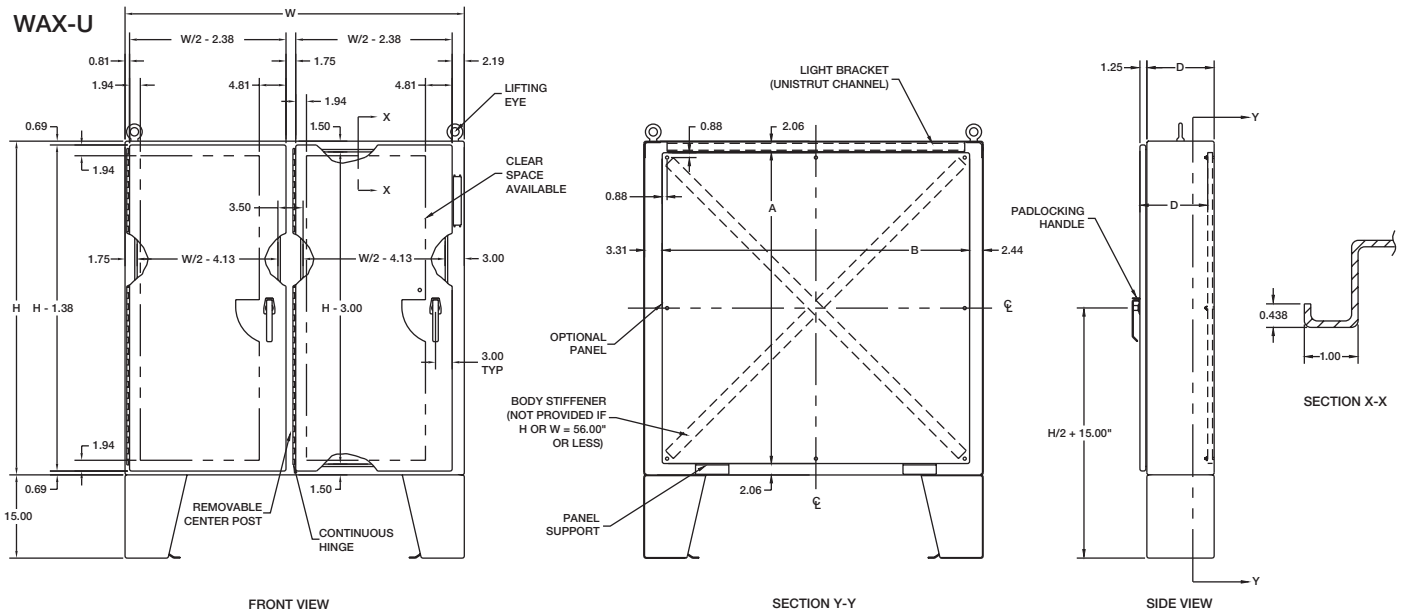
- Disconnect switch or circuit breakers, operating handle and operating mechanism are not furnished with the enclosure and must be ordered separately from the disconnect manufacturer
- **Operator adapter plates are required** with this enclosure and must be purchased separately. See pages F57 and K12 to select the proper operator adapter for the brand and type of disconnect being used
- Disconnect ordering information is located on page F33
- Review space occupied by disconnect drawings on page F32 and disconnect tables on pages F47-F56 to determine if the disconnect device you are using will fit the enclosure size you have selected



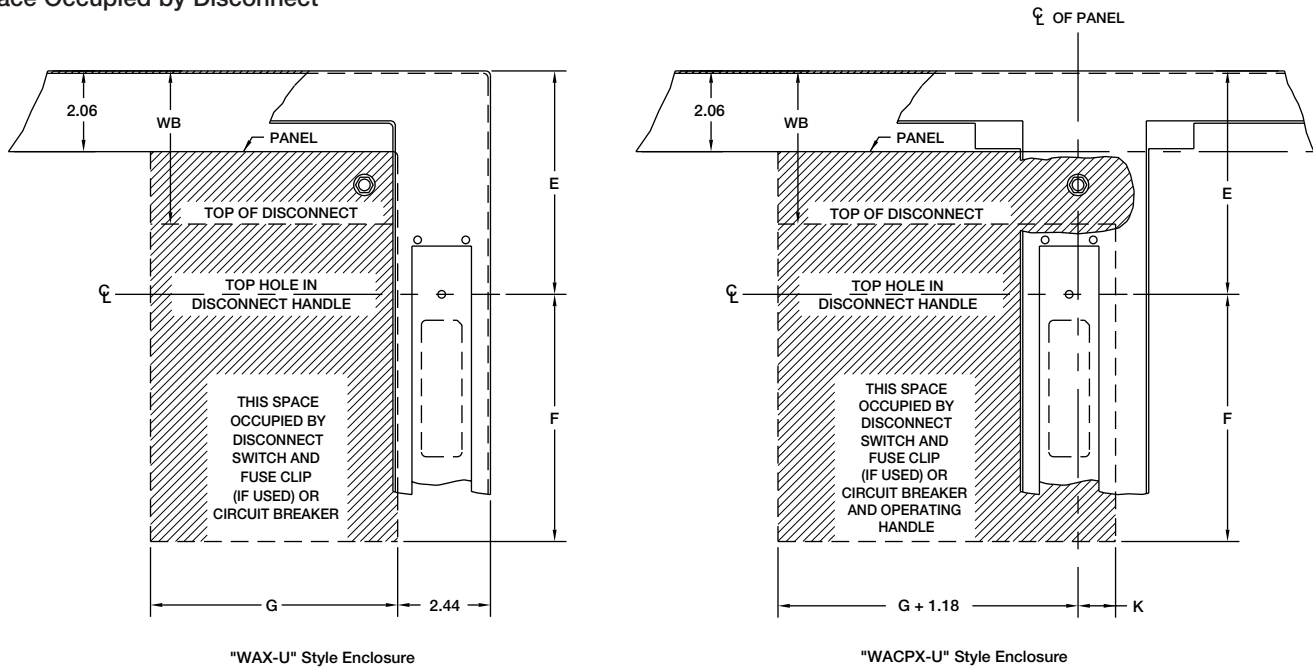
WAX-U AND WACPX-U SERIES FLOOR-MOUNT DISCONNECTS					
PROVISION CATALOG NUMBER		BODY/DOOR STEEL GAUGE	ENCLOSURE SIZE H X W X D	BACK PANEL CATALOG NUMBER*	BACK PANEL SIZE A X B
RIGHT FLANGE MNT.	CENTER POST MNT.				
WA60X4912U	WA60CPX4912U ◀	10/10	60.13x49.75x12.13 (1527x1264x308)	NPDD6048	56.00x44.00 (1422x1118)
WA60X4918U	—	10/10	60.13x49.75x18.13 (1527x1264x460)	NPDD6048	56.00x44.00 (1422x1118)
WA60X4924U ◀	WA60CPX4924U ◀	10/10	60.13x49.75x24.13 (1527x1264x613)	NPDD6048	56.00x44.00 (1422x1118)
WA60X6112U	WA60CPX6112U ◀	10/10	60.13x61.75x12.13 (1527x1568x308)	NPDD6060	56.00x56.00 (1422x1422)
WA60X6118U	—	10/10	60.13x61.75x18.13 (1527x1568x460)	NPDD6060	56.00x56.00 (1422x1422)
WA60X6124U ◀	WA60CPX6124U ◀	10/10	60.13x61.75x24.13 (1527x1568x613)	NPDD6060	56.00x56.00 (1422x1422)
WA72X6112U	—	10/10	72.13x61.75x12.13 (1832x1568x308)	NPDD7260	68.00x56.00 (1727x1422)
WA72X6118U	—	10/10	72.13x61.75x18.13 (1832x1568x460)	NPDD7260	68.00x56.00 (1727x1422)
WA72X7312U	WA72CPX7312U ◀	10/10	72.13x73.75x12.13 (1832x1873x308)	NPDD7272	68.00x68.00 (1727x1727)
WA72X7318U	WA72CPX7318U ◀	10/10	72.13x73.75x18.13 (1832x1873x460)	NPDD7272	68.00x68.00 (1727x1727)
WA72X7324U	—	10/10	72.13x73.75x24.13 (1832x1873x613)	NPDD7272	68.00x68.00 (1727x1727)

◀ NEW PRODUCT IN 2003

\*Back panels must be ordered separately. Panels are made from 10 gauge steel.



### Space Occupied by Disconnect



#### Note:

1. See pages F47-F56 for various brands of disconnects for "E", "F", "G", "K" and "WB" dimensions.
2. Disconnects will occupy space on panel shown by dimensions "E", "F", "G" and "K". Wiring space "WB" is available when disconnect is installed in the enclosure.
3. When ordering 24.13 (613mm) deep enclosures, long connecting rods must be ordered. Long connecting rods are available from disconnect manufacturers.
  - ABB Controls flange-operated devices
  - Cutter-Hammer C361 devices
  - Cutler-Hammer C371 operating mechanisms C371E and C371F, order catalog number C371CS1 connecting rod. For C371G and C371K, order catalog number C371CS2 connecting rod.
  - General Electric TDA devices, order catalog number TDSR extended length drive rod
  - For Square D 9422 devices, order catalog number 9422-R2 extra long operating rod(s). Some devices require two rods.

Refer to *National Electrical Code*® 1996 article 430-10(b) for wiring space required for line side conductors to be connected to disconnect. Verify your application to determine if wiring space is adequate.



**DISCONNECT ORDERING INFORMATION**

When ordering wall-mounted disconnects from the various manufacturers, be sure to order all of the necessary items. Each company has a different system, so care is required. Order the following items from the disconnect manufacturer.

**Allen-Bradley**

When using a Bulletin 1494F flange-mounted disconnect switch, order:

1. A disconnect switch
2. A fuse block adapter, if required
3. Line and load connectors, if required

When using a Bulletin 1494D flange-mounted operator for a circuit breaker, order:

1. A circuit breaker (C-H/Westinghouse)
2. A flange-mounted operating mechanism
3. A slide mechanism

When using a Bulletin 1494V disconnect switch, order:

- \* 1. A disconnect switch
- \* 2. An operating handle
- \* 3. A connecting rod (long)
- \* 4. A trailer fuse block kit, if required
- \* 5. A fuse clip kit, if required
- 6. Line and load connectors, if required

When using a Bulletin 1494V circuit breaker operating mechanism, order:

1. A circuit breaker (C-H/Westinghouse)
2. A circuit breaker operating mechanism
3. An operating handle
4. A connecting rod (long)

An optional Allen-Bradley channel support kit is recommended when Allen-Bradley Bulletin 1494V devices are installed in 72.12" (1832mm) high enclosures with operating handle mounted on centerpost.

**ABB Controls**

When using a disconnect switch, order:

1. A flange operated switch (fusible or non-fusible)
2. A shaft [DSFHS-12 for 12.12" (308mm) deep or DSFHS-17 for 18.12" (460mm) deep enclosures; in 24.12" (613mm) deep enclosures a platform must be used with shaft]
3. A handle (DSFHN-HS12)

When using a circuit breaker, order:

- 1. A circuit breaker (ABB)
- \* 2. An operating mechanism
- \* 3. A shaft [FHS-12 for 12.12" (308mm) deep or FHS-17 for 18.12" (460mm) deep enclosures; in 24.12" (613mm) deep enclosures a platform must be used with shaft]
- \* 4. Handle mechanism (FHN-HS12)

**PLEASE NOTE:**

1. Various other switch accessories and circuit breaker accessories are available from disconnect manufacturers. The above information is subject to change without notice. Please contact Hubbell-Wiegmann or the disconnect manufacturer if there are further questions.
2. The "Space Occupied" tables (pages F47-F56) are based upon information supplied by disconnect manufacturers. Hubbell-Wiegmann does not assume responsibility for the accuracy of these dimensions.

**Cutler-Hammer/Westinghouse**

When using a Type C361 disconnect switch, order:

- \* 1. A disconnect switch with an operating mechanism
- \* 2. An operating handle (C361H1 or C361H3)

When using a Type C371 circuit breaker operating mechanism with a C-H/Westinghouse circuit breaker, order:

1. A circuit breaker
- \* 2. An operating mechanism
- \* 3. An operating handle

When using a Type SM handle mechanism, order:

1. A circuit breaker
2. A type SM handle mechanism

When using a Flex Shaft™ handle mechanism, order:

1. A circuit breaker
2. A complete Flex Shaft™ handle mechanism

**General Electric**

When using a disconnect switch, order:

1. A disconnect switch (Type QMR or QMW)
2. A fuse clip kit or no-fuse kit
3. A flange handle (STDA1 or STDA2)
4. A variable depth operating mechanism
5. An extended length drive rod (if required)

When using a circuit breaker, order:

1. A circuit breaker
2. A flange handle (STDA1 or STDA2)
3. A variable depth operating mechanism
4. An extended length drive rod (if required)

When optional General Electric Flange Stiffener Kit (catalog number TDSR) is recommended when General Electric Type TDA devices are installed in 72.12" (1832) high enclosures with operating handle mounted on centerpost. Use with TDOM1, TDOM2, TDOM3, S100M1A, and S100M3 operating mechanisms.

When using a circuit breaker with a Spectra Flex™ cable operator, order:

1. A circuit breaker
2. A flange-mounted handle mechanism
3. A breaker-mounted mechanism
4. An operating cable

**I-T-E Siemens**

When using a disconnect switch, order:

1. A basic switch (right-hand)
2. A fuse or no-fuse kit
- \* 3. FHOHS flange-mounted handle
- \* 4. Switch operator
- \* 5. FHOECO36 cable for 12.12" (308mm) deep enclosures or FHOECO48 for 18.12 (460mm) and 24.12" (613mm) deep enclosures

When using a circuit breaker, order:

1. A circuit breaker
2. Pressure wire connectors
- \* 3. A flange-mounted handle
- \* 4. A circuit breaker operator mechanism
- \* 5. An operating cable [12.12" (308mm) deep or 18.12 (460mm) deep enclosures accept 36.00" (914mm) or 48.00 (1219mm) cables; 24.12" (613mm) deep enclosures require a 48.00" (1219mm) cable]

*\* These items are available from I-T-E as a complete mechanism with a 36.00" (914mm) operating cable only. Order items separately when using a 48.00" (1219mm) operating cable.*

**Square D**

When using a disconnect switch, order:

1. A disconnect switch with operating mechanism
2. A universal handle mechanism
3. A long operating rod, if required

When using a circuit breaker, order:

1. A circuit breaker
2. An operating mechanism
3. A universal handle mechanism
4. A long operating rod, if required

When using a Class 9422 Type "T" disconnect switch with a cable mechanism, order:

1. A disconnect switch with operating mechanism (Class 9422 Type T)
2. A handle mechanism (Class 9422 Type A-1)
3. A cable mechanism (Class 9422 CFT\_O) 3-, 5-, or 10-foot

When using a circuit breaker with a cable mechanism, order:

1. A circuit breaker (Square D)
2. A handle mechanism (Class 9422 Type A-1)
3. A cable mechanism (Class 9422 CFT\_O) 3-, 5-, or 10-foot

An optional Square D Channel Flange Support Kit (catalog number 9422-C1) is recommended when some Square D devices are installed in 72.12" (1832mm) high enclosures with operating handle mounted on centerpost.





NPDD4242

**FEATURES-SPECIFICATIONS**

**Description**

- Steel panels are fabricated from 10 gauge carbon steel
- Panels are painted with a white polyester powder
- Panels are used in NEMA 12 double door floor-mounted enclosures and some 2-door wall-mount enclosures

BACK PANELS FOR DOUBLE DOOR FLOOR-MOUNTED ENCLOSURES	
CATALOG NUMBER PAINTED STEEL (WHITE)	PANEL SIZE A X B
NPDD4242	39.00x39.00 (991x991)
NPDD4260	38.00x56.00 (965x1422)
NPDD4842	45.00x39.00 (1143x991)
NPDD4848	44.00x44.00 (1118x1118)
NPDD5442	50.00x38.00 (1270x965)
NPDD6048	44.00x56.00 (1118x1422)
NPDD6060	56.00x56.00 (1422x1422)
NPDD7260	56.00x68.00 (1422x1727)
NPDD7272	68.00x68.00 (1727x1727)

